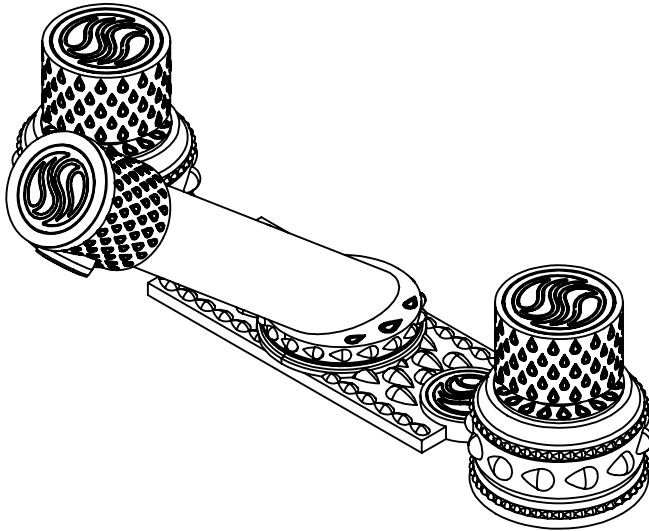


UNITY GRAND KNOB SIGNATURE DECK MOUNT FAUCET SET WITH PLATE

B-UN-115-00

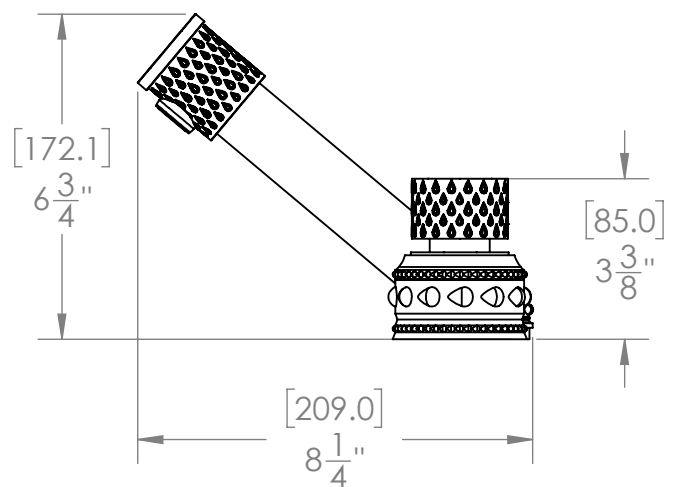
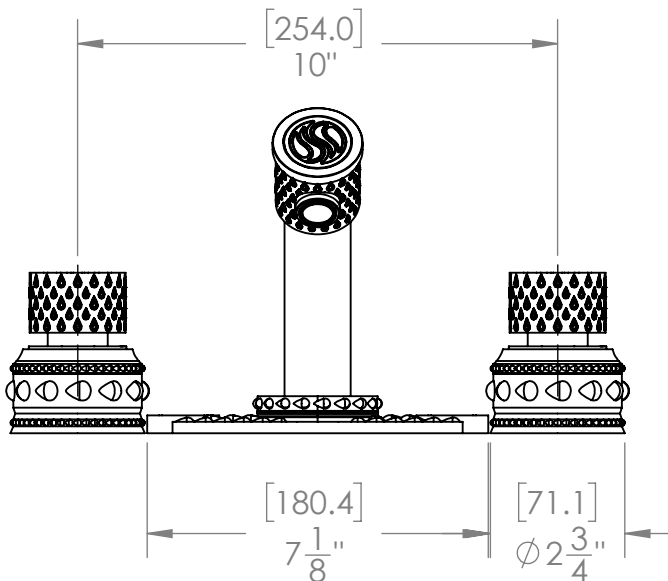


Custom Finishes

- AQUA MATTE BLACK
- AQUA POLISHED BLACK
- AQUA POLISHED GOLD
- AQUA MATTE ROSE GOLD
- AQUA POLISHED ROSE GOLD
- SOLACE NATURAL BRASS
- SOLACE BRONZE
- SOLACE AGED COPPER
- SOLACE AGED IRON
- SOLACE MATTE NICKEL
- SOLACE POLISHED NICKEL
- SOLACE AGED VERDE
- 22K MATTE GOLD
- 22K POLISHED GOLD
- 22K MATTE ROSE GOLD
- 22K POLISHED ROSE GOLD



- Solid brass construction for durability and reliability.
- Includes soft touch drain assembly.
- 20pt 1/4 turn ceramic disc valve cartridge.
- Standard aerator limited to 1.2 GPM.
- Compatible with other pieces from Susan Dunn Collections.
- Certified to meet or exceed the following codes and standards: ASME A112.18.1/CSAB 125.1-2012

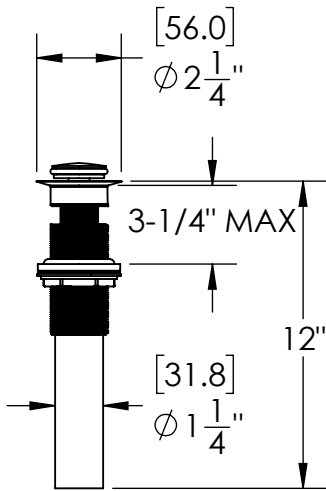


Confidential © Copyright Susan Dunn Inc. · All Rights Reserved
Global Headquarters: Rancho Santa Fe, CA · Phone: 800.772.2772
www.susandunn.com · email: concierge@susandunn.com

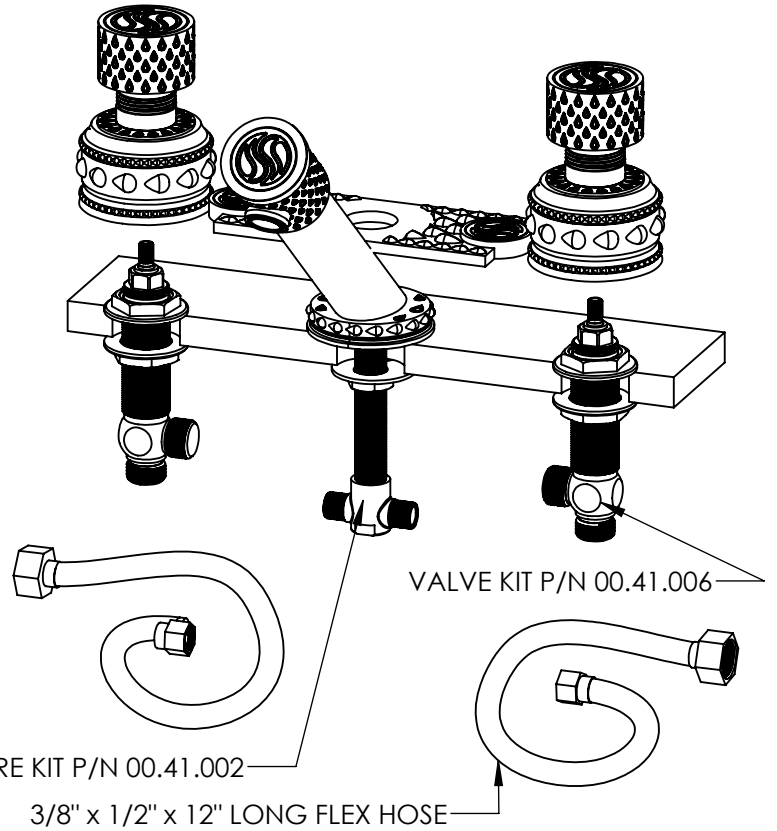
Note: Measurements are subject to change or cancellation. No responsibility is assumed for use of superseded or voided pages.



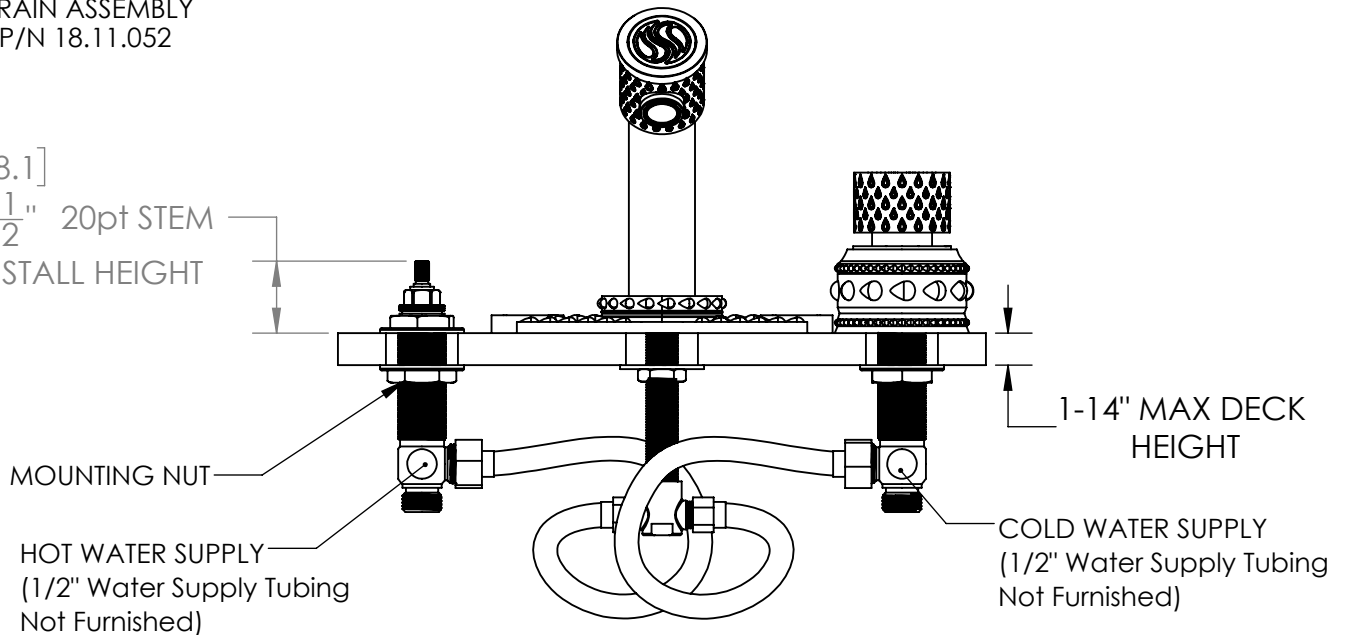
UNITY GRAND KNOB SIGNATURE DECK MOUNT FAUCET SET WITH PLATE
B-UN-115-00



SOFT TOUCH
DRAIN ASSEMBLY
P/N 18.11.052



[38.1]
1 1/2" 20pt STEM
INSTALL HEIGHT



NOTE: SPOUT & VALVES INSTALL THROUGH Ø 1-1/4" HOLES