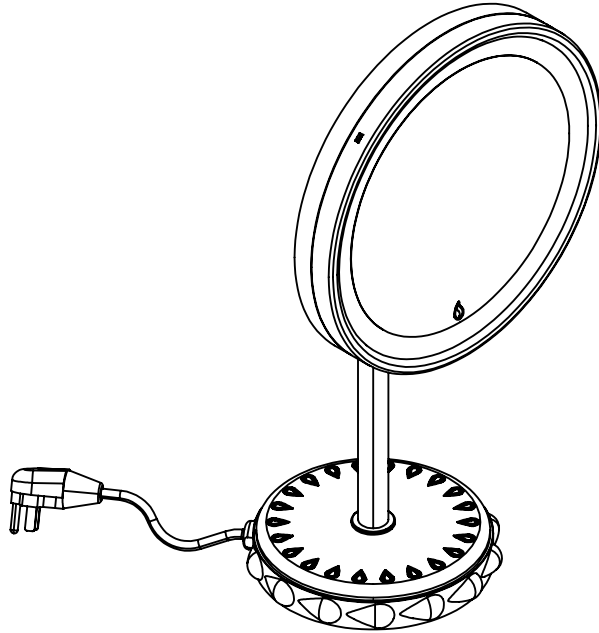


**MAKEUP MIRROR, COUNTER**  
M-UN-110-00

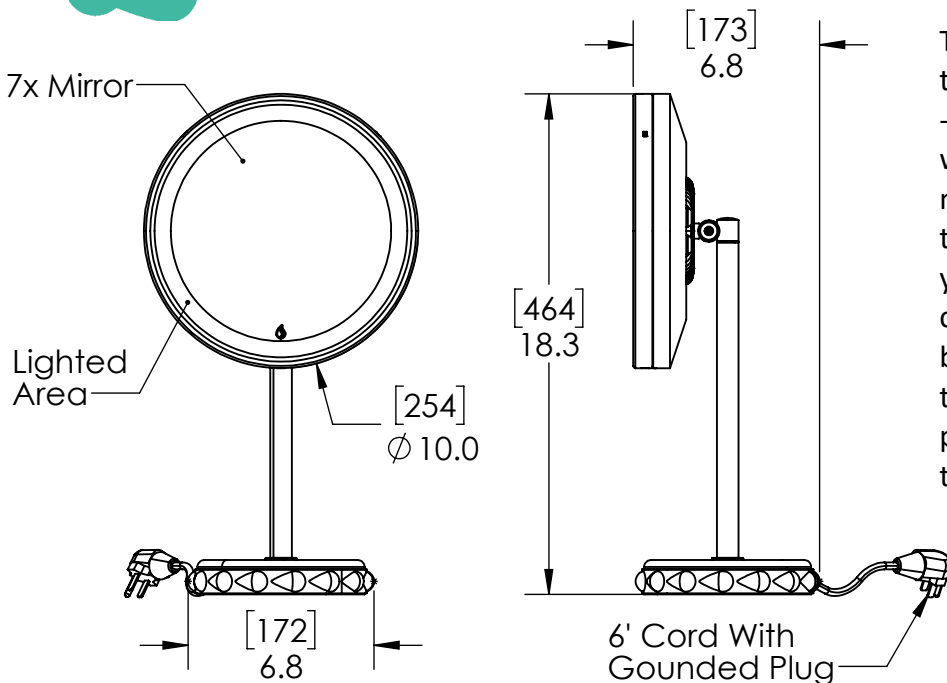


**Custom Finishes**

- AQUA MATTE BLACK
- AQUA POLISHED BLACK
- AQUA POLISHED GOLD
- AQUA MATTE ROSE GOLD
- AQUA POLISHED ROSE GOLD
- SOLACE NATURAL BRASS
- SOLACE BRONZE
- SOLACE AGED COPPER
- SOLACE AGED IRON
- SOLACE MATTE NICKEL
- SOLACE POLISHED NICKEL
- SOLACE AGED VERDE
- 22K MATTE GOLD
- 22K POLISHED GOLD
- 22K MATTE ROSE GOLD
- 22K POLISHED ROSE GOLD



- Compatible with other pieces from Susan Dunn Luxury Collections.
- High Power LED halo light built in for visual clarity.
- Plate and base crafted of precision machined solid brass.



To adjust the light simply press one of the buttons on the back of the mirror - the top button makes the color warmer and the bottom button makes it cooler. If you tap the button the light will change in small steps. If you press and hold the button it will change continuously. Do not press both buttons at the same time. When the light reaches the end of its range press the other button to change it in the opposite direction.