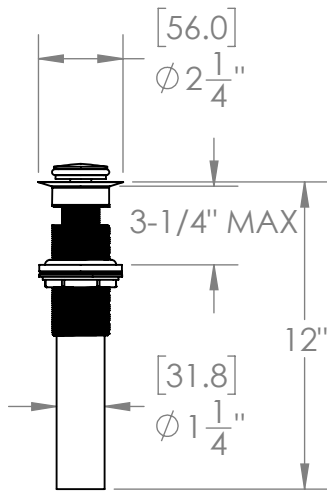
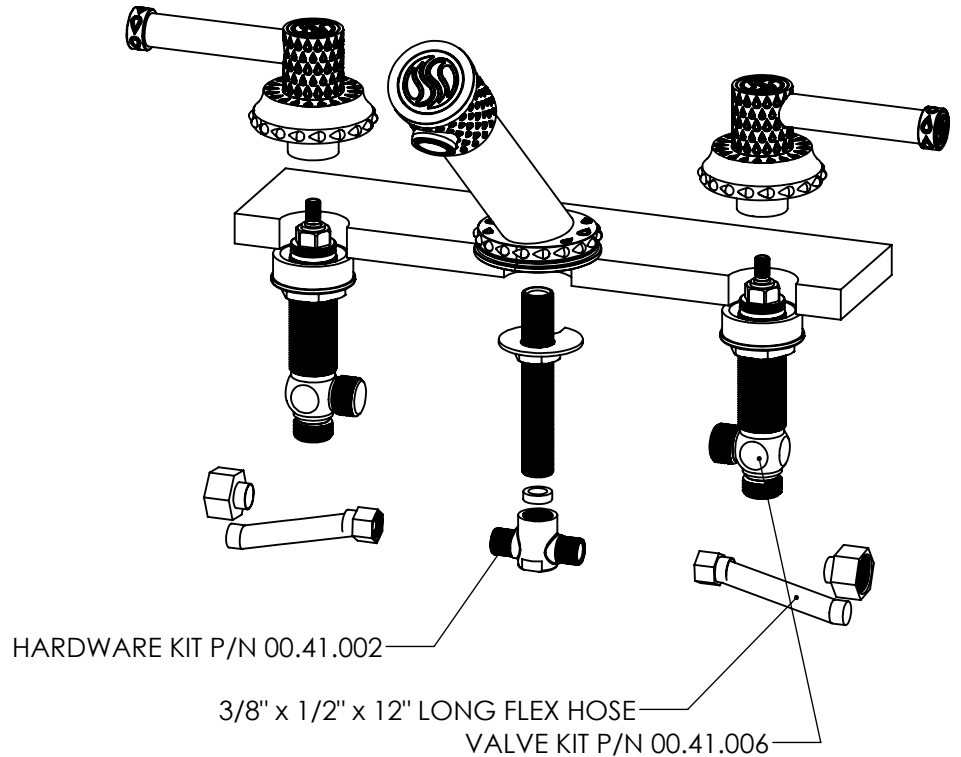


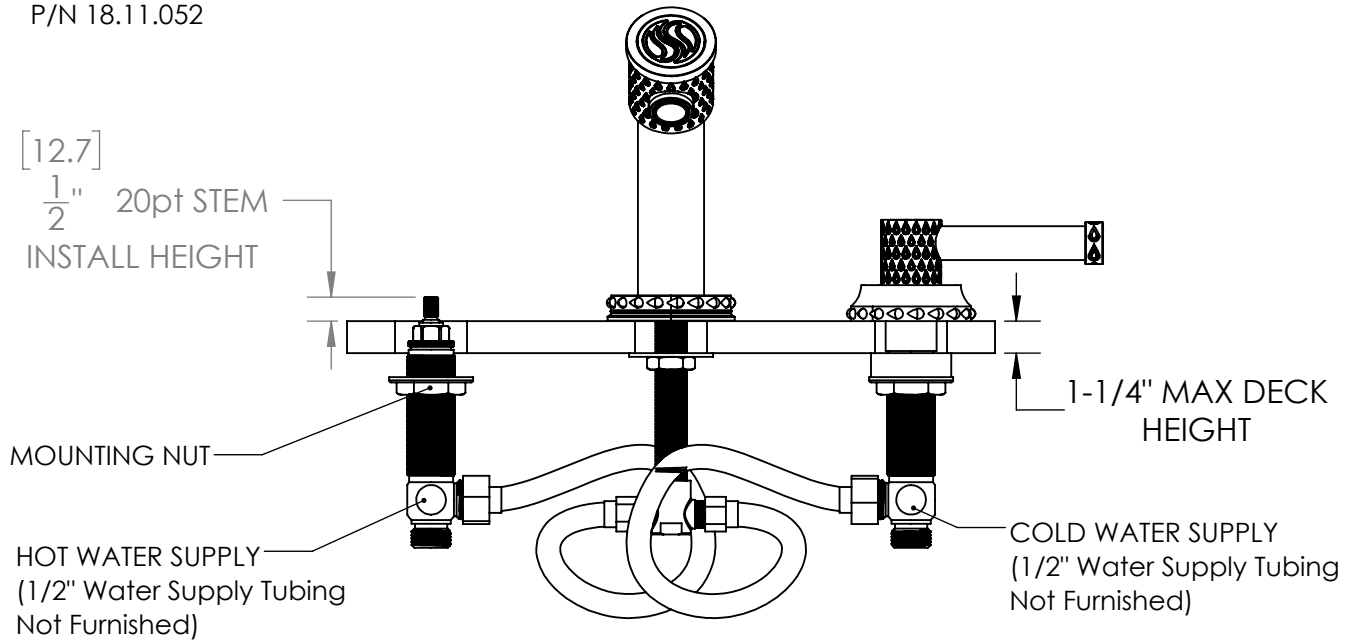
UNITY CLASSIC LEVER SIGNATURE DECK MOUNT FAUCET SET
B-UN-106C-00



SOFT TOUCH
DRAIN ASSEMBLY
P/N 18.11.052



[12.7]
1/2" 20pt STEM
INSTALL HEIGHT



NOTE: SPOUT & VALVES INSTALL THROUGH Ø 1-1/4" HOLES