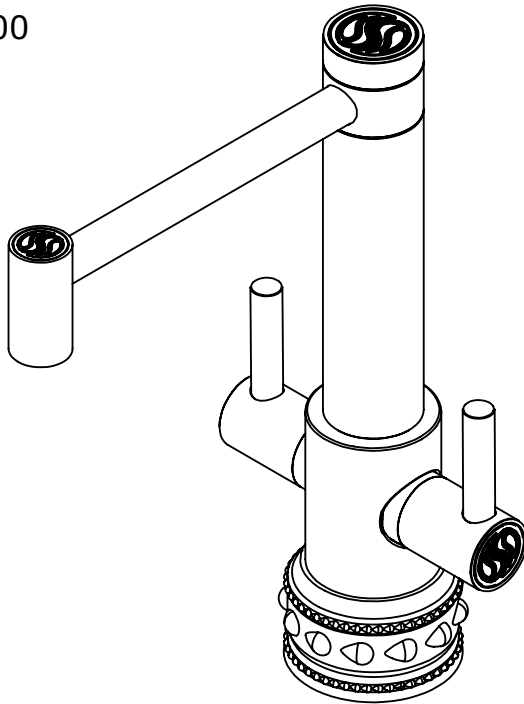


CLASSIC BAR FAUCET

K-UN-400-00

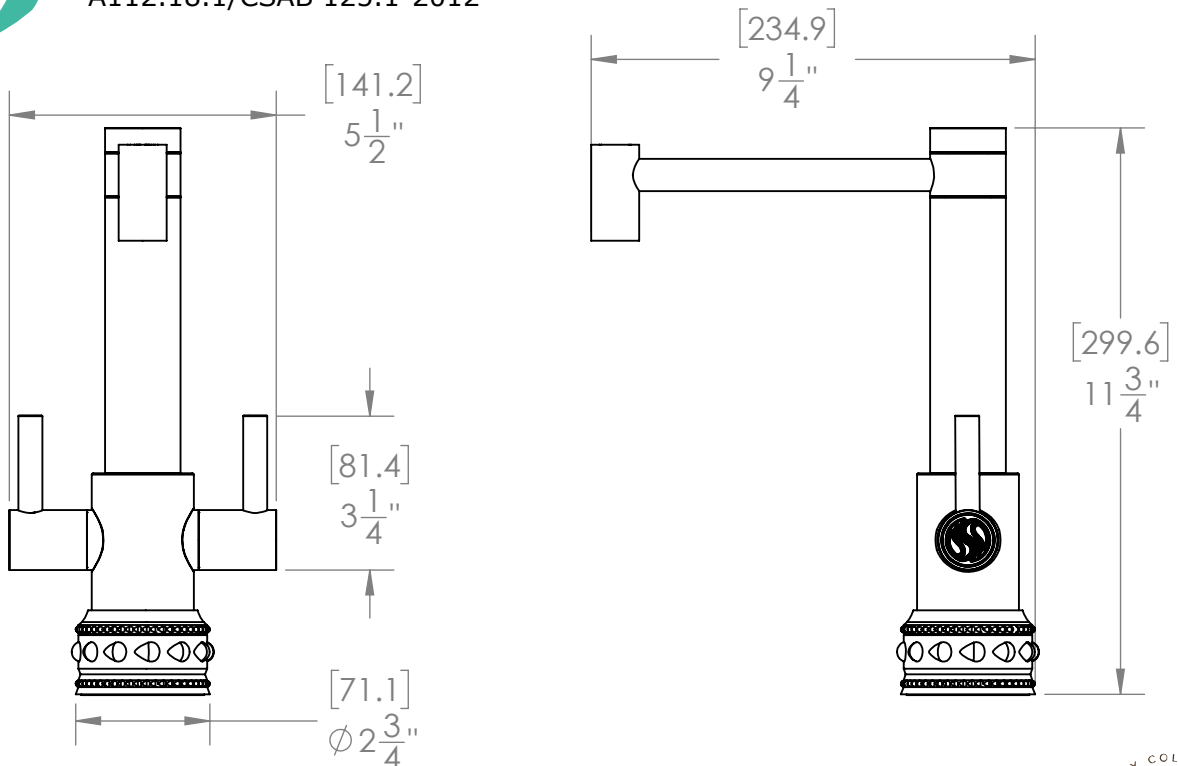


Custom Finishes

- AQUA MATTE BLACK
- AQUA POLISHED BLACK
- AQUA POLISHED GOLD
- AQUA MATTE ROSE GOLD
- AQUA POLISHED ROSE GOLD
- SOLACE NATURAL BRASS
- SOLACE BRONZE
- SOLACE AGED COPPER
- SOLACE AGED IRON
- SOLACE MATTE NICKEL
- SOLACE POLISHED NICKEL
- SOLACE AGED VERDE
- 22K MATTE GOLD
- 22K POLISHED GOLD
- 22K MATTE ROSE GOLD
- 22K POLISHED ROSE GOLD



- Solid brass construction for durability and reliability.
- Compatible with other pieces from Susan Dunn Collections.
- 1.8 GPM max flow rate.
- Certified to meet or exceed the following codes and standards: ASME A112.18.1/CSAB 125.1-2012



Confidential © Copyright Susan Dunn Inc. · 2020 All Rights Reserved
 World Headquarters: Rancho Santa Fe, CA · Phone: 800.772.2772
www.susandunn.com · email: conciierge@susandunn.com

Note: Measurements are subject to change or cancellation. No responsibility is assumed for use of superseded or voided pages.



CLASSIC BAR FAUCET
K-UN-400-00

