

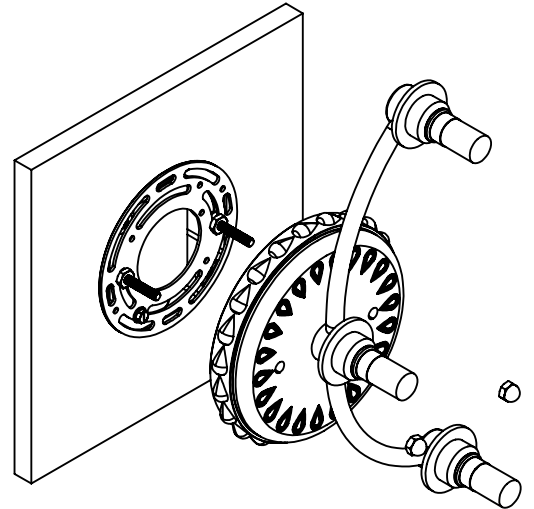
INSTALLATION INSTRUCTIONS

FEATURES

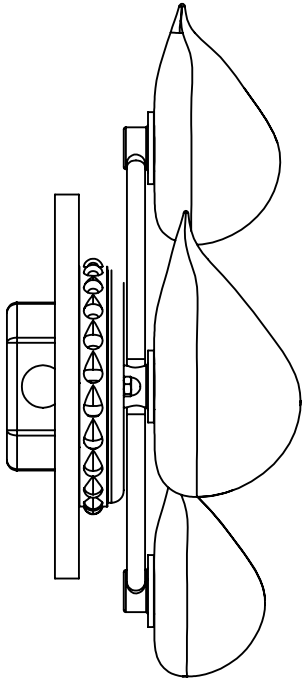
- Solid brass construction for durability and reliability.
- Includes all hardware for installation and 12v LED bulb & driver.

FIXTURE INSTALLATION

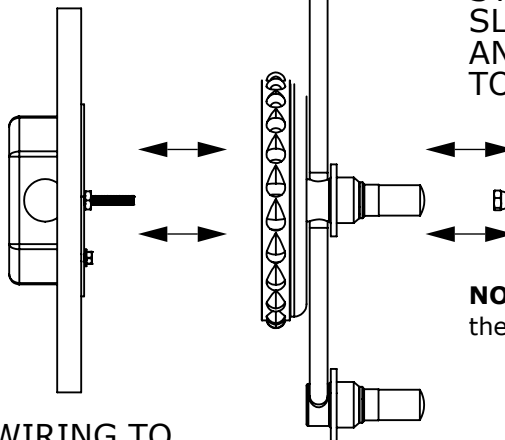
STEP #1
ATTACH MOUNTING
BRACKET FLUSH TO WALL
WITH PROPER SCREWS &
ANCHOR POINT.



NOTE: Junction boxes may vary depending on location. We recommend installation by a licensed electrician.

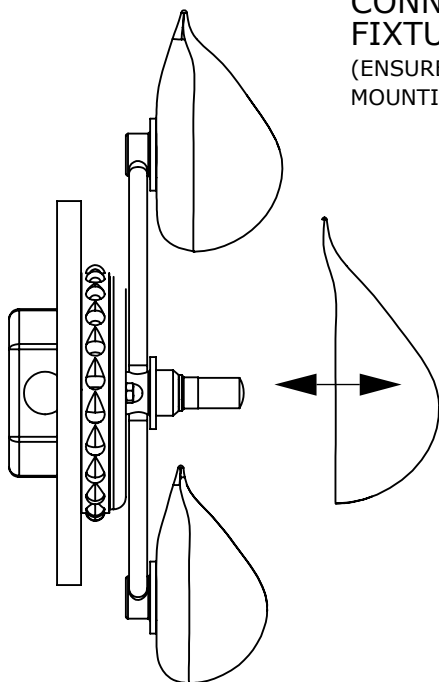


STEP #3
SLIDE FIXTURE OVER PLATE
AND TIGHTEN ACORN NUTS
TO BRACKET SCREWS.



NOTE: Carefully insert LED bulb into the slot on the tip of the socket.

STEP #2
CONNECT WIRING TO
FIXTURE DRIVER
(ENSURE GROUND IS SECURED TO
MOUNTING PLATE)

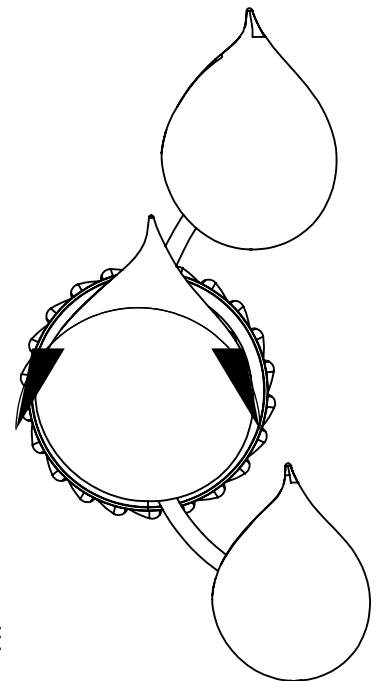


GLASS INSTALLATION

*Clean white gloves
MUST be worn when
handling glass globes.*

NOTE: Ensure when using pressure, hold fixture to keep force from bending hardware or damaging the wall mount.

STEP #4
USING SLIGHT PRESSURE
TOWARD SOCKET ROTATE GLOBE
BACK AND FORTH UNTIL FULLY
SEATED OVER SILICON SOCKET.



SAFETY

These instructions are provided for your safety. It is very important that they are read completely before beginning the installation of your fixture.

1. Turn off electricity at the main circuit breaker panel before beginning installation.
2. This fixture must be installed by a certified and licensed electrician. Customers should not attempt to install it on their own.
3. This fixture has been rated for 12V 2.2W max G4 base bulbs. To avoid the risk of fire, do not exceed the recommended wattage.
4. If any special control devices are used with this fixture, follow the instructions to assure full compliance with the N.E.C. requirements.
5. This fixture can be used only with a capable LED dimmer.
6. The wall anchors are not included. To select the proper type of wall anchor based on the material the ceiling is made of, please contact your local hardware store for assistance. If there are any questions, contact a licensed electrical contractor.

WARNINGS

- Do not mount or unmount the glass globes if the light bulbs or fixture is hot.
- All wires are connected. Do not remove the light from its packaging by pulling on the power cord, as a bad connection may result.
- Do not use if the light cable/ cord is damaged.
- To reduce the risk of fire, electrical shock, or personal injury, always turn off light fixture and allow it and the globes to cool prior to replacing light bulb.
- When mounting the fixture, always use clean white gloves.
- Do not touch bulb when fixture is turned on. Do not look directly at lit bulb.
- Keep flammable materials away from a lit bulb.

CLEANING & MAINTENANCE

NOTE: Make sure you cut off electrical supply to the lamp before commencing cleaning operations.

Brass Elements: Clean every month using a soft cloth, dampened slightly with water. Make sure the frame is dry before switching it back on.

Glass Globes: Clean regularly with a soft dry cloth. Clean only the outside of the globe. When more dirty, use a wet cloth first. Grease can be cleaned with a gentle glass cleaner.

LED Bulbs: Make sure your power supply is off before changing the bulb. Gently remove the bulb by pulling it out and replace with a LED bulb of the same parameters.

NOTE: Please remember some finishes may tarnish over time. This is a natural process. Make sure you follow our guidelines to preserve a great look of lighting for years.

TROUBLE SHOOTING

NOTE: Dear client, please be assured our team strives to deliver highest quality products. The handmade nature of the products offers a unique aesthetic experience and allows for small imperfections, which is inherent in crafts. If solutions offered below are not sufficient, please do not hesitate and contact our customer service.

Tarnishing: Oxidation of some finishes is a natural process. its color may change slightly over time. No action is necessary apart from regular cleaning. See the Maintenance section.

Noise: The humming noise normally comes from transformers. Check electrical connections and make sure the right dimmer is used.