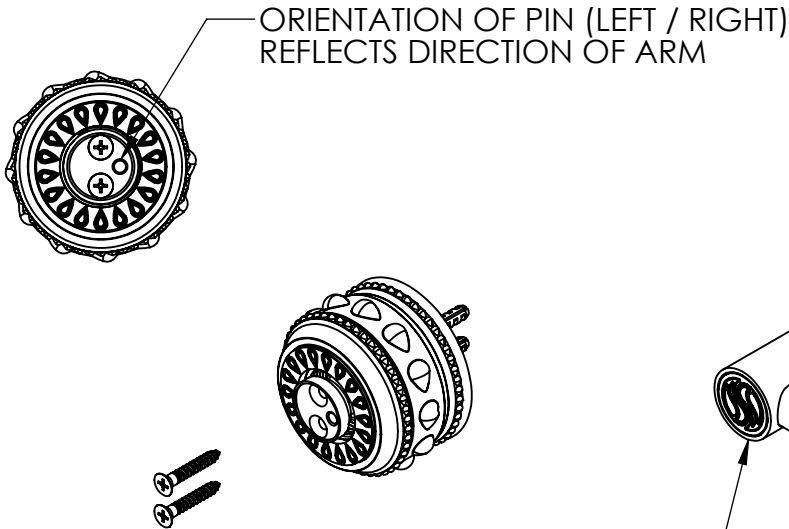
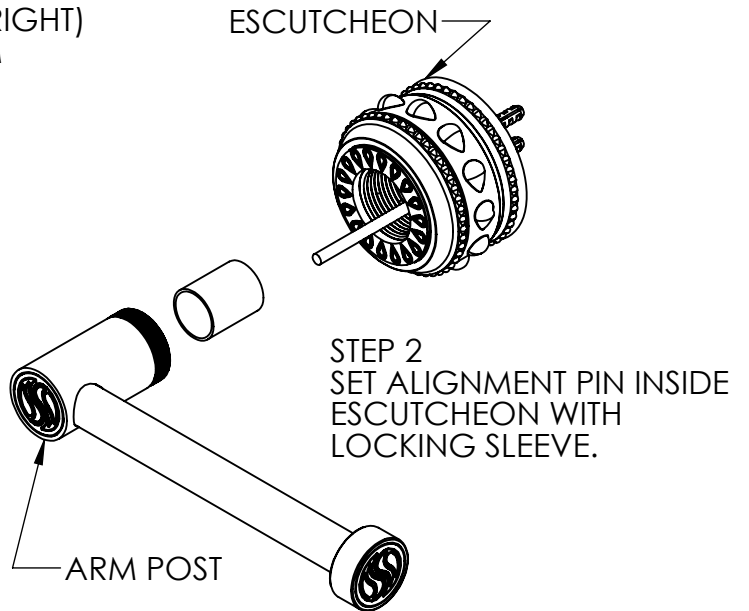


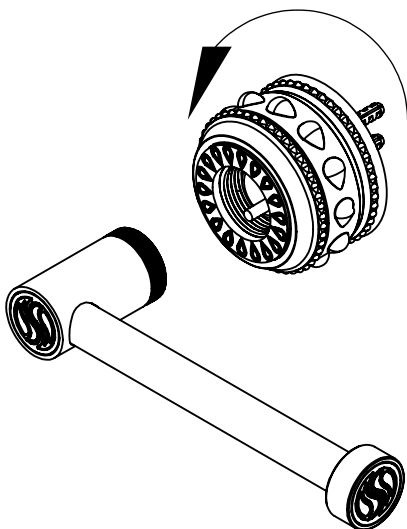
TISSUE PAPER HOLDER
A-PU-004-00



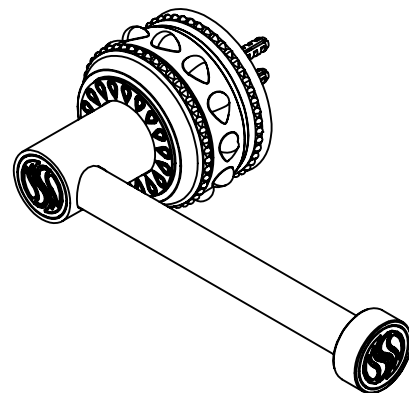
STEP 1
WITH SCREWS VERTICALLY ALIGNED
SCREW ESCUTCHEON TO WALL



STEP 2
SET ALIGNMENT PIN INSIDE
ESCUTCHEON WITH
LOCKING SLEEVE.



STEP 3
ALIGN ARM POST TO PIN AND TURN
ESCUTCHEON COUNTERCLOCKWISE TO
TIGHTEN ARM POST TO ESCUTCHEON.



STEP 4
CLEAN ALL SURFACES OF
FINGERPRINTS WITH
POLISHING CLOTH