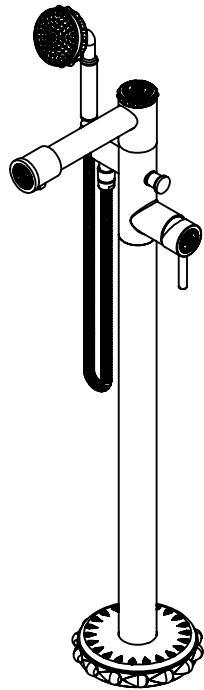




## PURITY SIGNATURE FLOOR MOUNT TUB FILLER

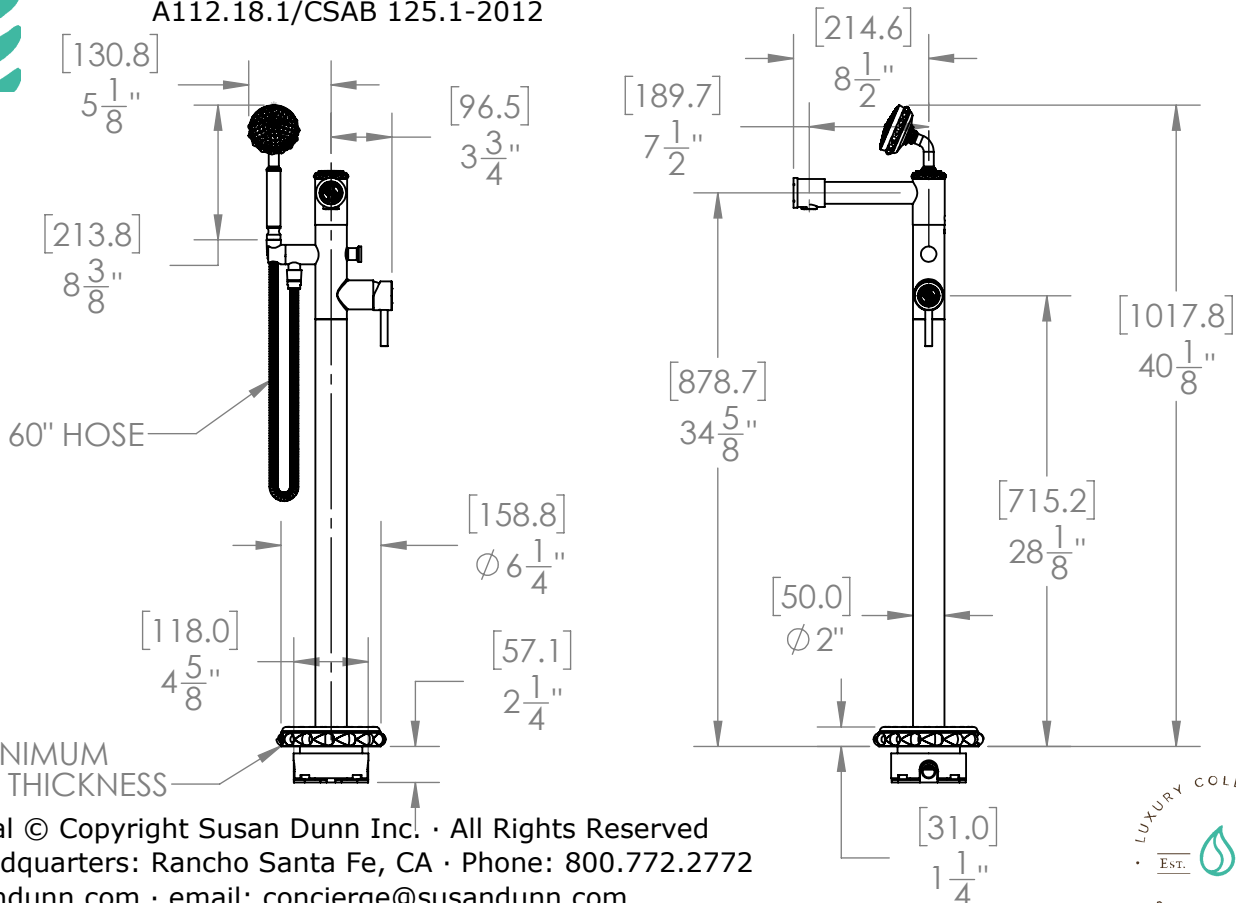
B-PU-320-00



### Custom Finishes

- AQUA MATTE BLACK
- AQUA POLISHED BLACK
- AQUA POLISHED BRASS
- AQUA MATTE ROSE GOLD
- AQUA POLISHED ROSE GOLD
- SOLACE NATURAL BRASS
- SOLACE BRONZE
- SOLACE AGED COPPER
- SOLACE AGED IRON
- SOLACE MATTE NICKEL
- SOLACE POLISHED NICKEL
- SOLACE AGED VERDI
- 22K MATTE GOLD
- 22K POLISHED GOLD
- 22K MATTE ROSE GOLD
- 22K POLISHED ROSE GOLD

- Solid brass construction for durability and reliability.
- Flow rate: 6.5 gpm at 60 psi
- Certified to meet or exceed the following codes and standards: ASME A112.18.1/CSAB 125.1-2012



Confidential © Copyright Susan Dunn Inc. · All Rights Reserved  
 Global Headquarters: Rancho Santa Fe, CA · Phone: 800.772.2772  
 www.susandunn.com · email: concierge@susandunn.com

Note: Measurements are subject to change or cancellation. No responsibility is assumed for use of superseded or voided pages.

