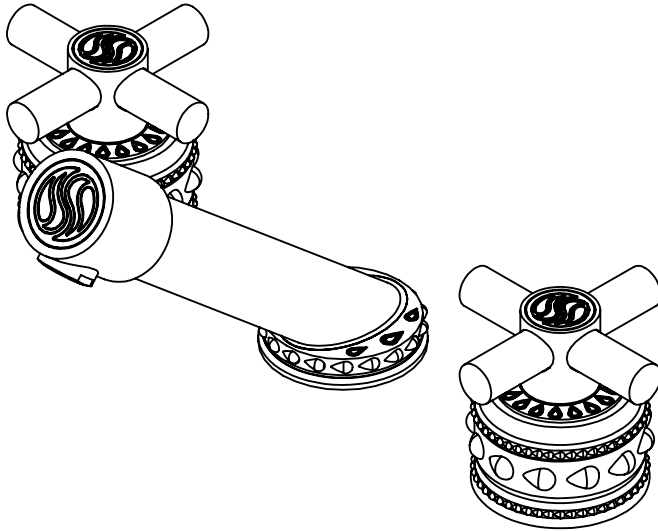


4-ARM DECK MOUNT FAUCET SET  
WITH GRAND ESCUTCHEONS  
B-PU-104-00

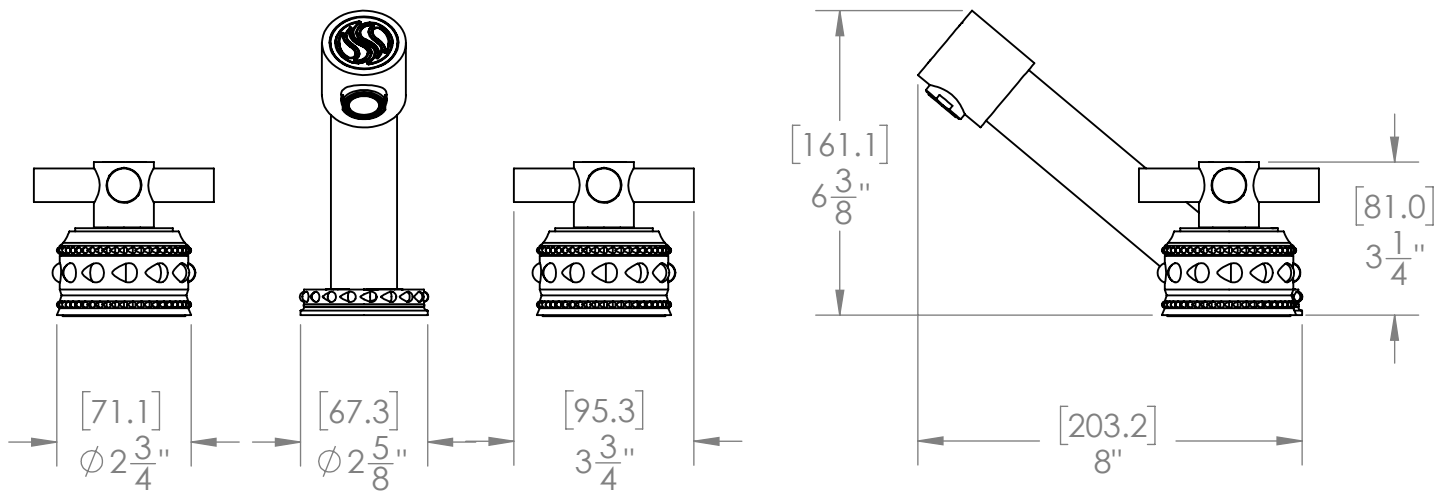


Custom Finishes

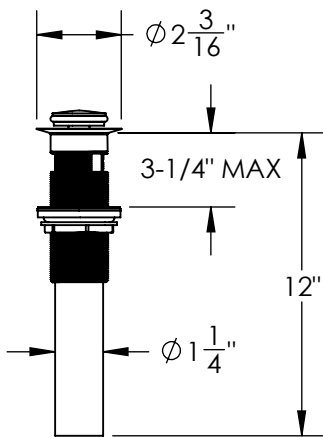
- AQUA MATTE BLACK
- AQUA POLISHED BLACK
- AQUA POLISHED GOLD
- AQUA MATTE ROSE GOLD
- AQUA POLISHED ROSE GOLD
- SOLACE NATURAL BRASS
- SOLACE BRONZE
- SOLACE AGED COPPER
- SOLACE AGED IRON
- SOLACE MATTE NICKEL
- SOLACE POLISHED NICKEL
- SOLACE AGED VERDE
- 22K MATTE GOLD
- 22K POLISHED GOLD
- 22K MATTE ROSE GOLD
- 22K POLISHED ROSE GOLD



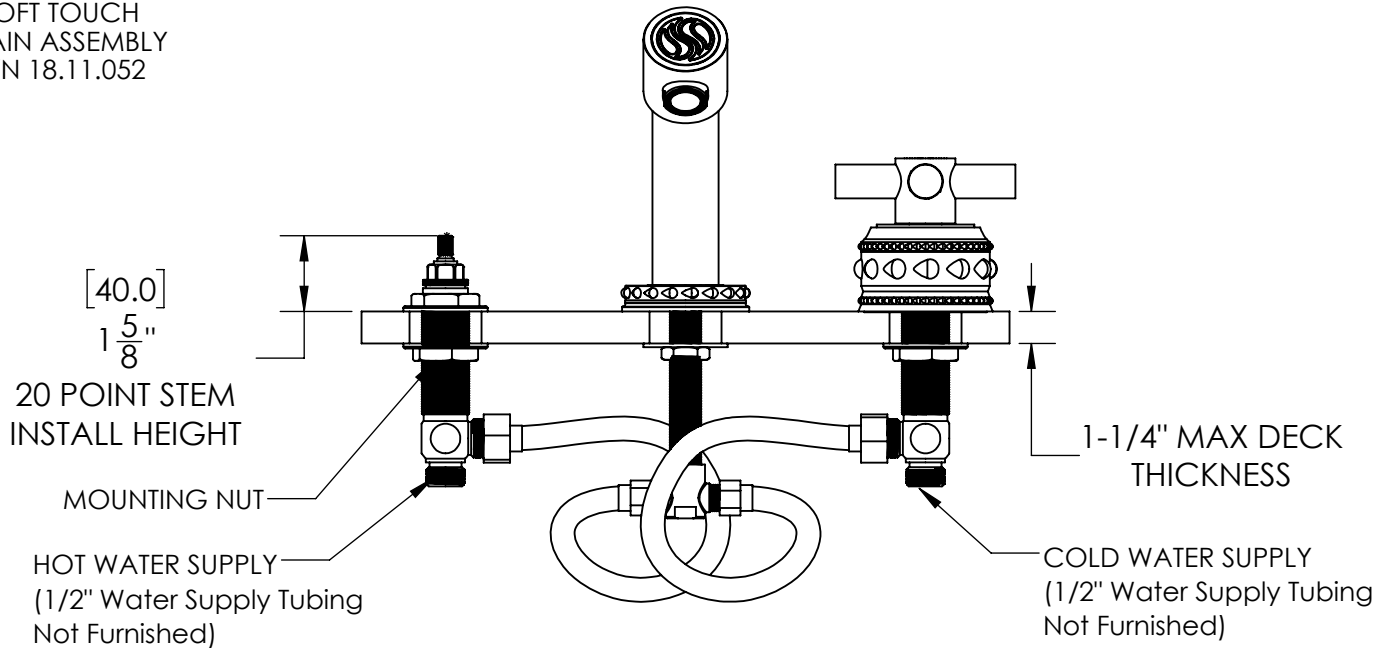
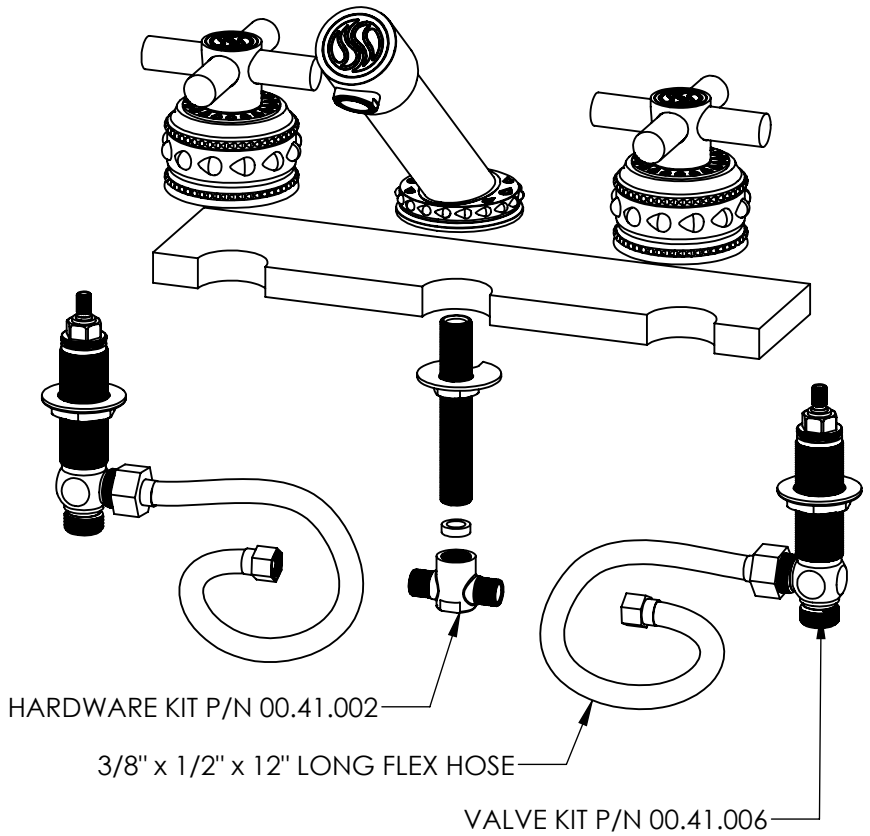
- Solid brass construction for durability and reliability.
- Includes soft touch drain assembly.
- 20pt 1/4 turn ceramic disc valve cartridge.
- Standard aerator limited to 1.2 GPM.
- Compatible with other pieces from Susan Dunn Collections.
- Certified to meet or exceed the following codes and standards: ASME A112.18.1/CSAB 125.1-2012



**4-ARM DECK MOUNT FAUCET SET  
WITH GRAND ESCUTCHEONS  
B-PU-104-00**



SOFT TOUCH  
DRAIN ASSEMBLY  
P/N 18.11.052



NOTE: SPOUT & VALVES INSTALL THROUGH  $\phi 1\text{-}1/4$ " HOLES