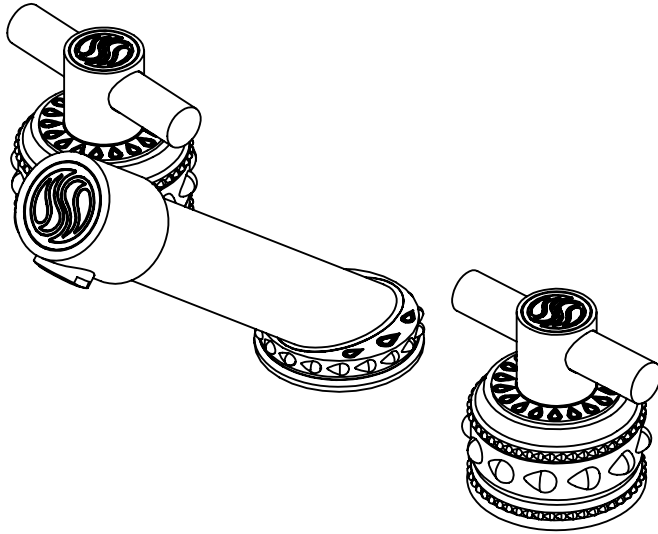


2-ARM DECK MOUNT TUB FAUCET SET  
WITH GRAND ESCUTCHEONS  
B-PU-102R-00

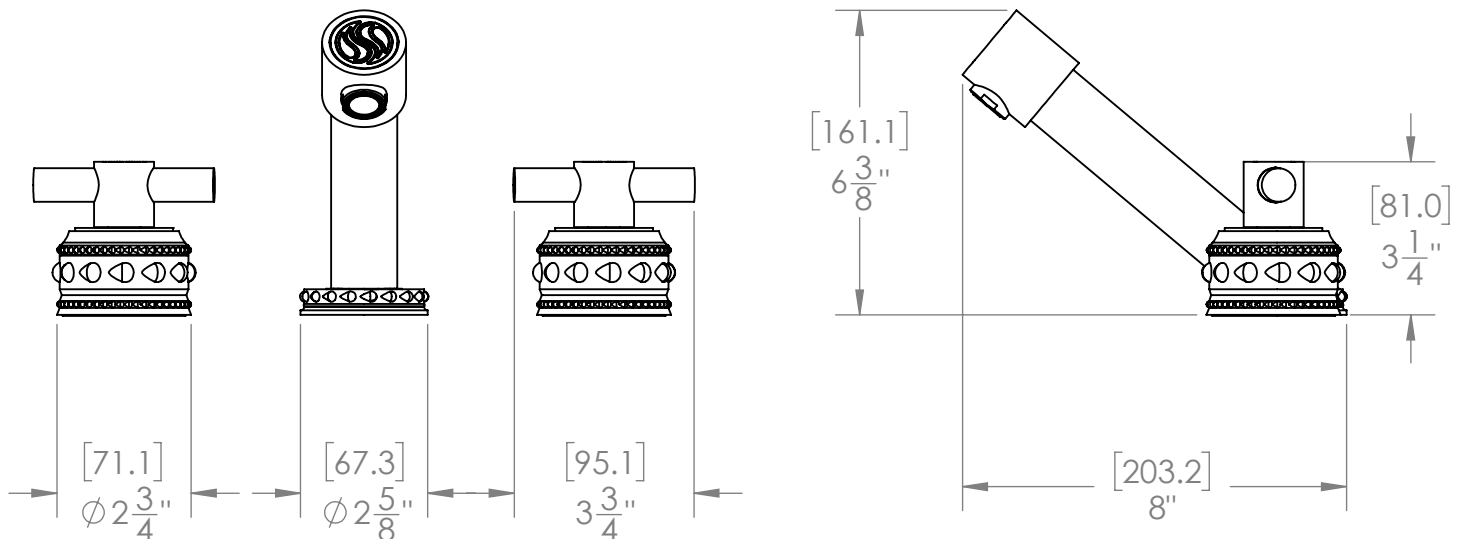


Custom Finishes

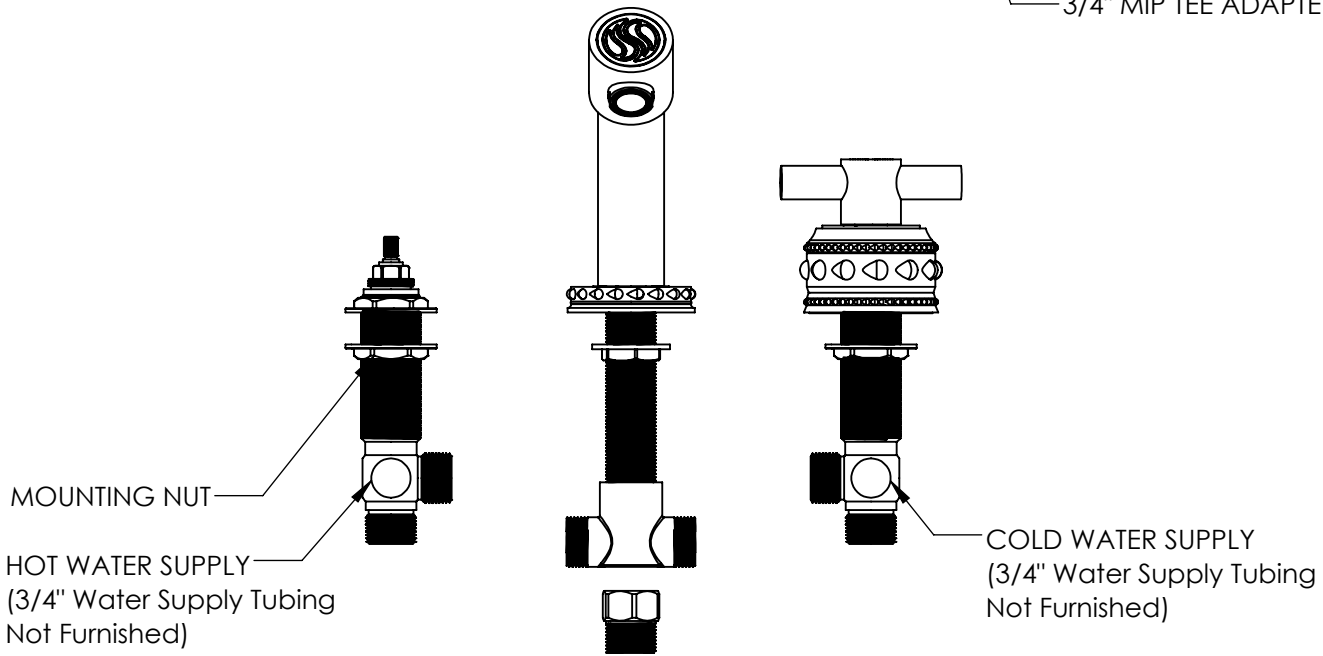
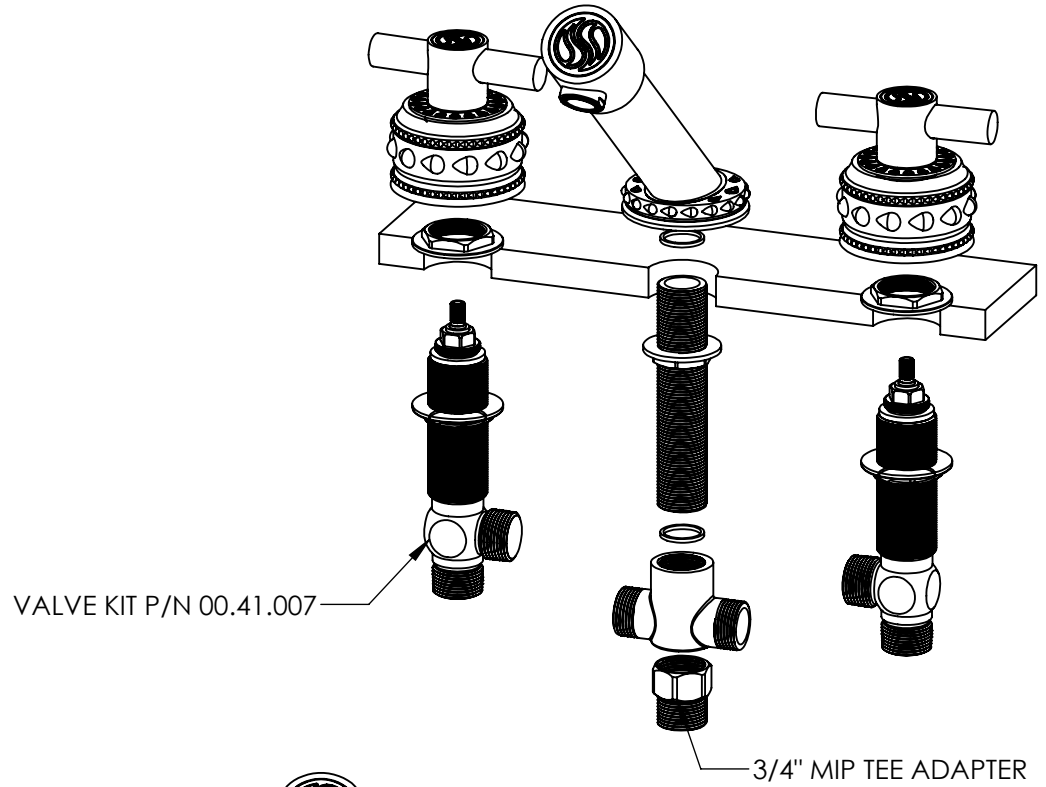
- AQUA MATTE BLACK
- AQUA POLISHED BLACK
- AQUA POLISHED GOLD
- AQUA MATTE ROSE GOLD
- AQUA POLISHED ROSE GOLD
- SOLACE NATURAL BRASS
- SOLACE BRONZE
- SOLACE AGED COPPER
- SOLACE AGED IRON
- SOLACE MATTE NICKEL
- SOLACE POLISHED NICKEL
- SOLACE AGED VERDE
- 22K MATTE GOLD
- 22K POLISHED GOLD
- 22K MATTE ROSE GOLD
- 22K POLISHED ROSE GOLD



- Solid brass construction for durability and reliability.
- 3/4" valve bodies with 20pt 1/4 turn ceramic disc valve cartridge.
- Spout and valves install through 1-1/4" diameter holes.
- Plumber to provide 3/4" supply lines to valves.
- Compatible with other pieces from Susan Dunn Collections.
- Certified to meet or exceed the following codes and standards: ASME A112.18.1/CSAB 125.1-2012



**2-ARM DECK MOUNT TUB FAUCET SET**  
WITH GRAND ESCUTCHEONS  
B-PU-102R-00



NOTE: SPOUT & VALVES INSTALL THROUGH Ø 1-1/4" HOLES

