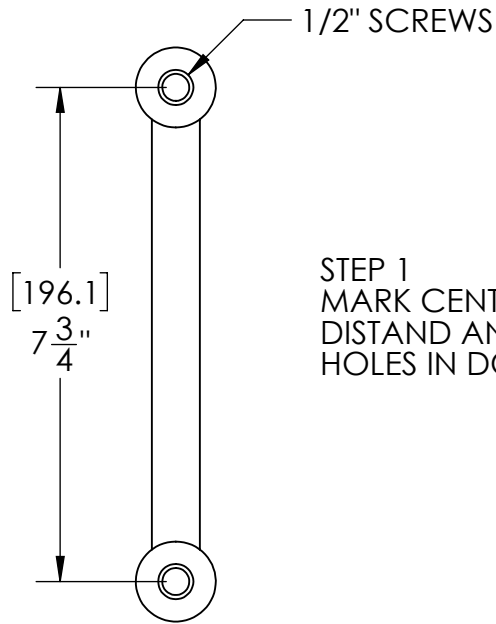
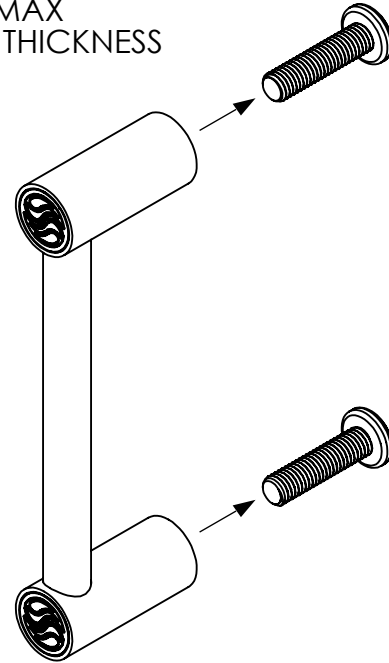


**CLASSIC DUAL-POST DOOR PULL**  
D-PU-001-00

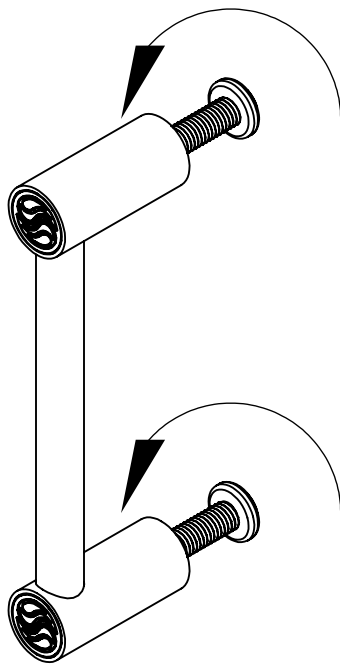


STEP 1  
MARK CENTER TO CENTER  
DISTANCE AND DRILL 1/2  
HOLES IN DOOR.

NOTE:  
1-1/2" MAX  
DOOR THICKNESS



STEP 2  
ALIGN ARM POST TO SCREW  
AND TIGHTEN TO DOOR.



STEP 3  
CLEAN ALL SURFACES OF  
FINGERPRINTS WITH  
POLISHING CLOTH.

