

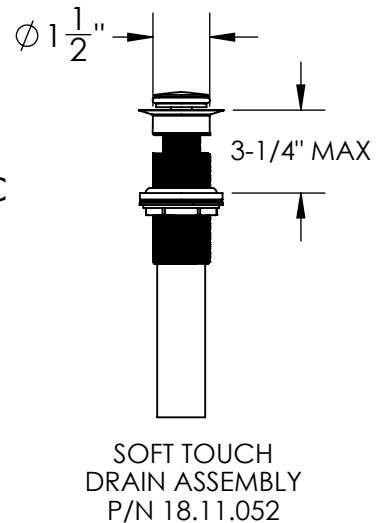
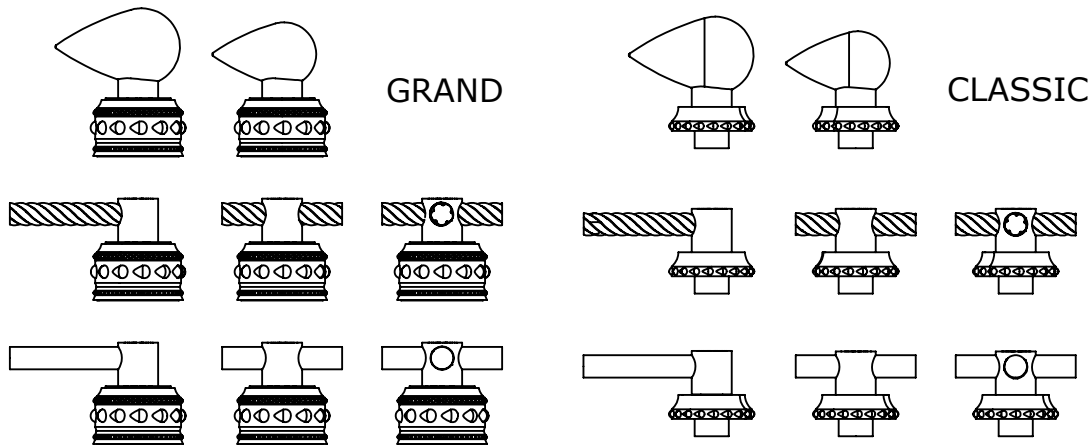
**PLEASE INSPECT PRODUCT PRIOR TO INSTALLING:**

Carefully review all pre-assembled parts. It will be necessary for the various parts to be re-assembled correctly.

**NOTICE:**

These instructions do not represent step-by-step directions. They are a product supplement only to be used by a qualified/licensed plumber. We recommend all plumbing fixtures be installed by a professional.

- Check ports for markings.
- **NEVER** use an exit as an inlet; **NEVER** use an inlet as an exit.
- All connections are NPT.
- **NO HEAT - NO TORCH.**
- **FLUSH LINES OF DEBRIS.**
- **TEST UNIT BEFORE CLOSING WALL.**
- **UPC REQUIRES ACCESS TO MECHANICAL JOINTS.**

**INSTRUCTIONS:**

1. Set valve stem install height for grad or classic escutcheon.
2. Install handle in the desired orientation.
3. Rotating the escutcheon clockwise tighten handle to deck.

