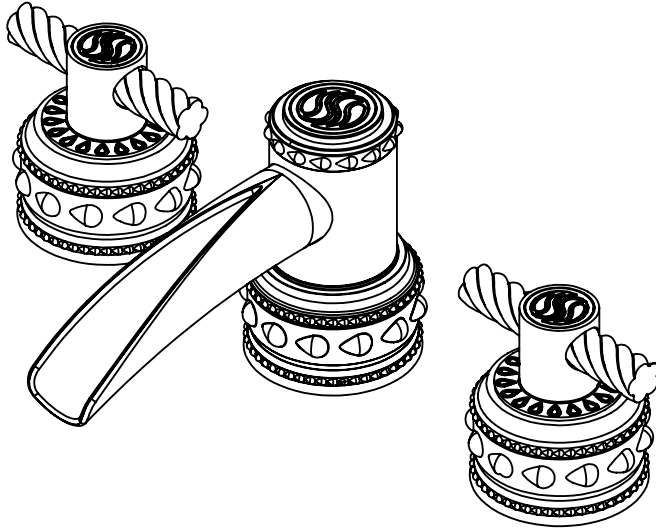


### 2-ARM DECK MOUNT TUB SPOUT SET WITH GRAND ESCUTCHEONS B-ET-612R-00

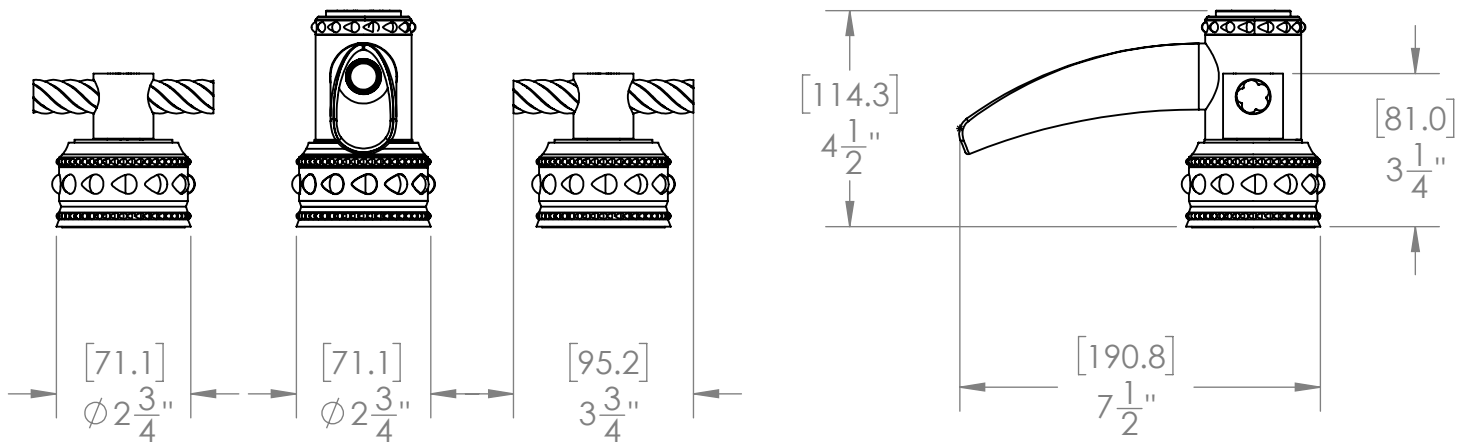


#### Custom Finishes

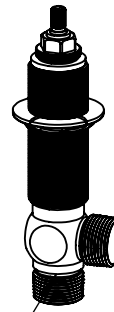
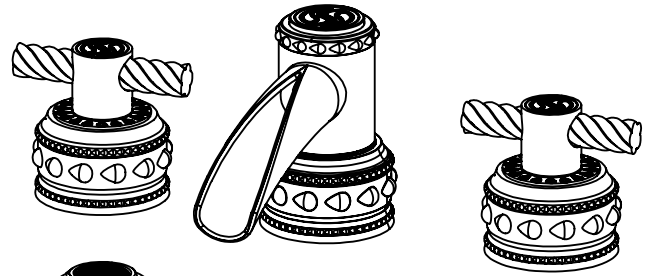
- AQUA MATTE BLACK
- AQUA POLISHED BLACK
- AQUA POLISHED GOLD
- AQUA MATTE ROSE GOLD
- AQUA POLISHED ROSE GOLD
- SOLACE NATURAL BRASS
- SOLACE BRONZE
- SOLACE AGED COPPER
- SOLACE AGED IRON
- SOLACE MATTE NICKEL
- SOLACE POLISHED NICKEL
- SOLACE AGED VERDE
- 22K MATTE GOLD
- 22K POLISHED GOLD
- 22K MATTE ROSE GOLD
- 22K POLISHED ROSE GOLD



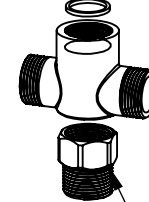
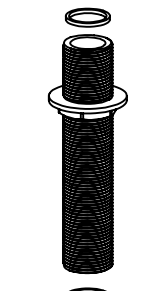
- Solid brass construction for durability and reliability.
- 3/4" valve bodies with 20pt 1/4 turn ceramic disc valve cartridge.
- Spout and valves install through 1-1/4" diameter holes.
- Plumber to provide 3/4" supply lines to valves.
- Compatible with other pieces from Susan Dunn Collections.
- Certified to meet or exceed the following codes and standards: ASME A112.18.1/CSAB 125.1-2012



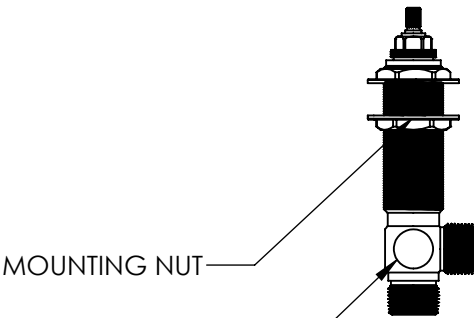
**2-ARM DECK MOUNT TUB SPOUT SET**  
WITH GRAND ESCUTCHEONS  
B-ET-612R-00



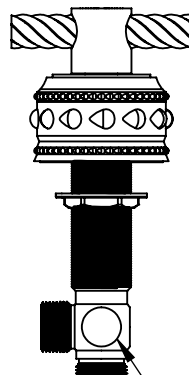
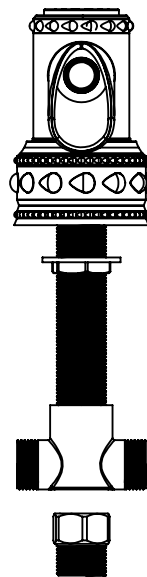
VALVE KIT P/N 00.41.007



3/4" MIP TEE ADAPTER



MOUNTING NUT  
HOT WATER SUPPLY  
(3/4" Water Supply Tubing  
Not Furnished)



COLD WATER SUPPLY  
(3/4" Water Supply Tubing  
Not Furnished)

NOTE: SPOUT & VALVES INSTALL THROUGH  $\varnothing$  1-1/4" HOLES