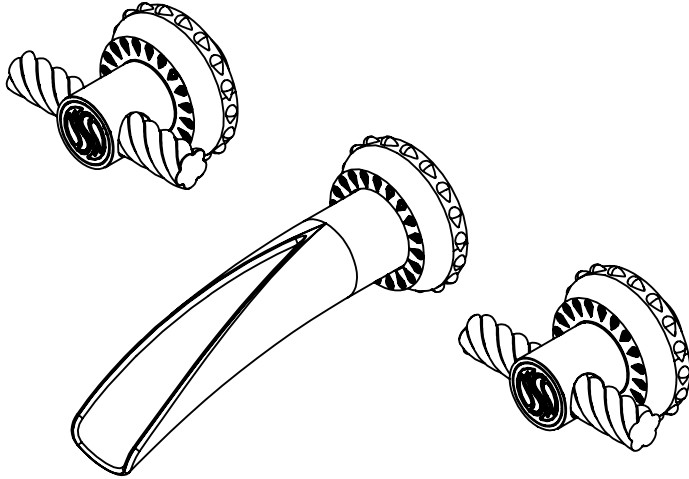


2-ARM WALL MOUNT SPOUT
WITH CLASSIC ESCUTCHEONS
B-ET-422C-00

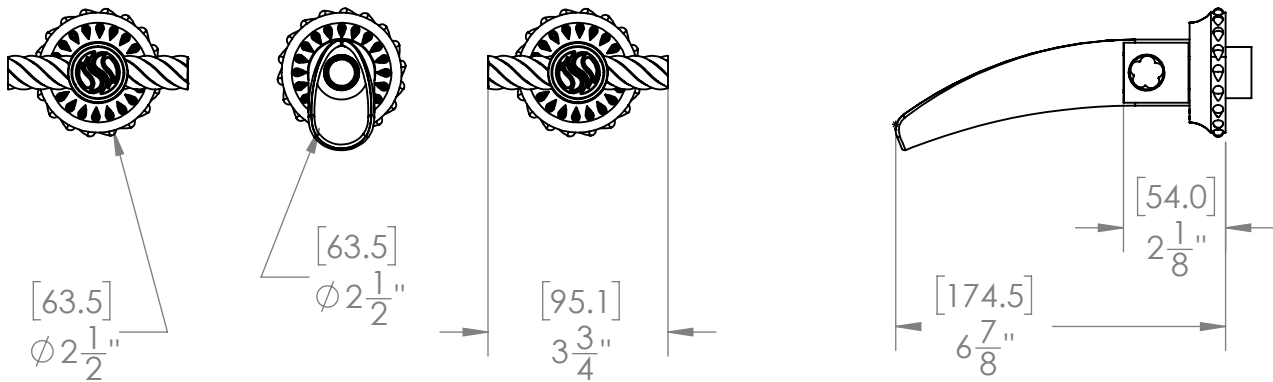


Custom Finishes

- AQUA MATTE BLACK
- AQUA POLISHED BLACK
- AQUA POLISHED GOLD
- AQUA MATTE ROSE GOLD
- AQUA POLISHED ROSE GOLD
- SOLACE NATURAL BRASS
- SOLACE BRONZE
- SOLACE AGED COPPER
- SOLACE AGED IRON
- SOLACE MATTE NICKEL
- SOLACE POLISHED NICKEL
- SOLACE AGED VERDE
- 22K MATTE GOLD
- 22K POLISHED GOLD
- 22K MATTE ROSE GOLD
- 22K POLISHED ROSE GOLD

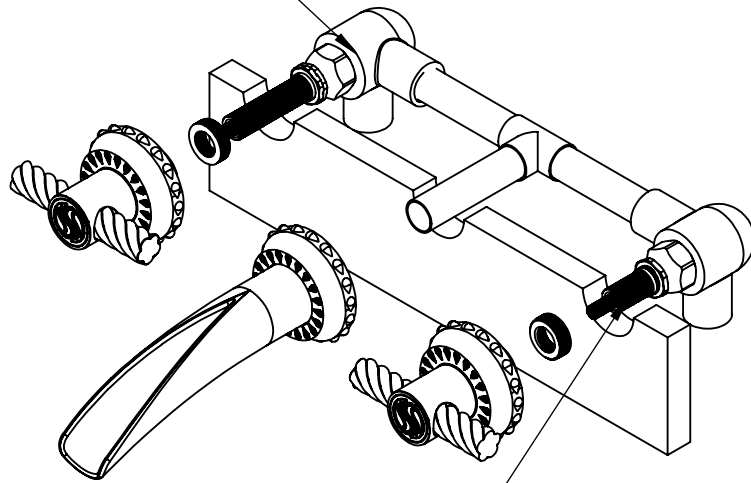


- Solid brass construction for durability and reliability.
- Includes soft touch drain with overflow.
- 20pt 1/4 turn ceramic disc valve cartridge.
- Standard aerator limited to 1.2 GPM.
- Compatible with other pieces from Susan Dunn Collections.
- Certified to meet or exceed the following codes and standards: ASME A112.18.1/CSAB 125.1-2012

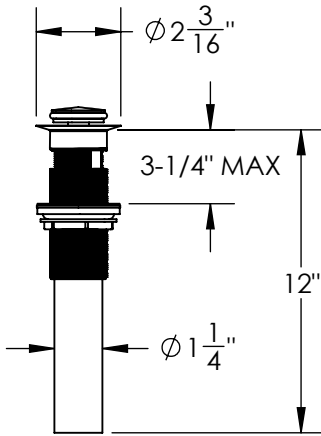


**2-ARM WALL MOUNT SPOUT
WITH CLASSIC ESCUTCHEONS**
B-ET-422C-00

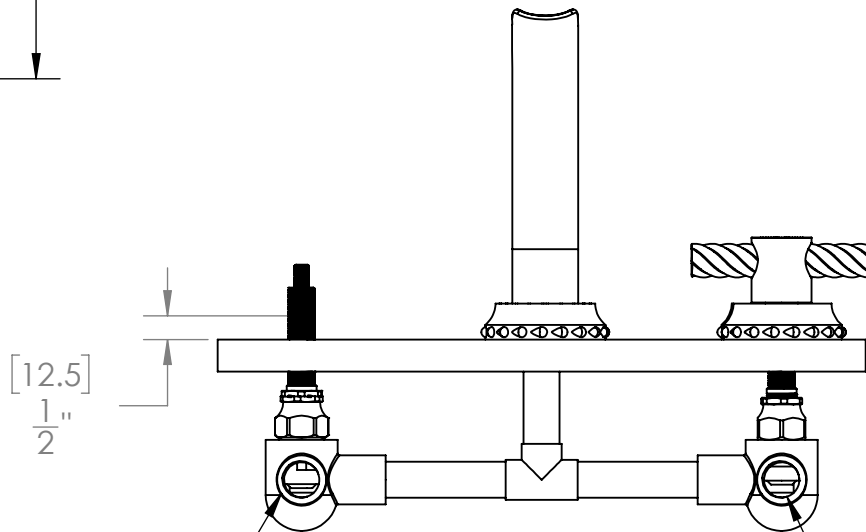
VALVE KIT P/N 00.41.005



VALVE KIT P/N 00.41.005



SOFT TOUCH
DRAIN ASSEMBLY
P/N 18.11.052



1/2" NPT OUTLETS

1/2" NPT OUTLETS