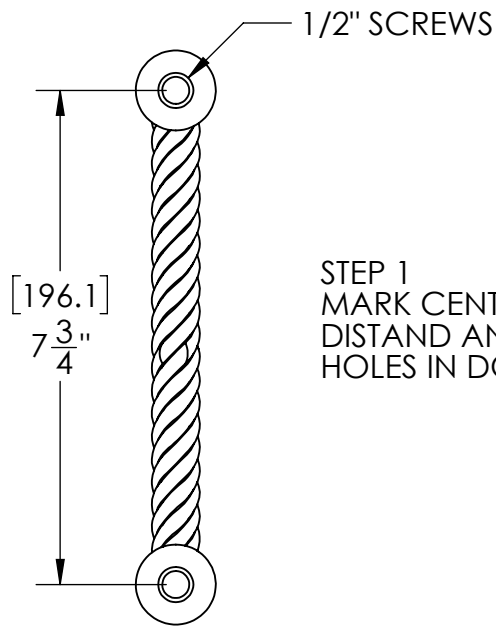
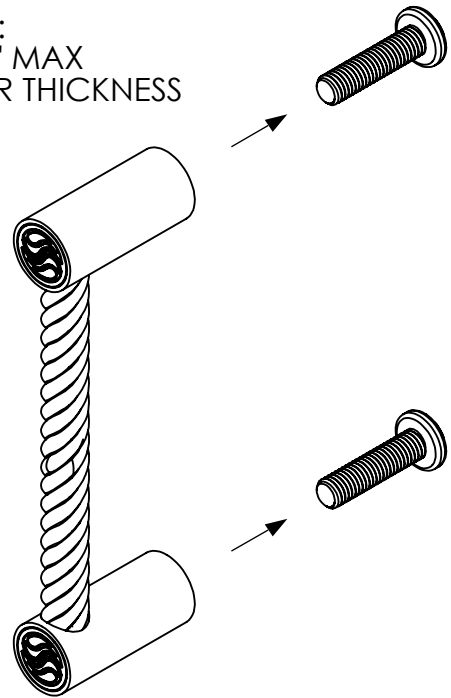


CLASSIC DUAL POST DOOR PULL
D-ET-001-00

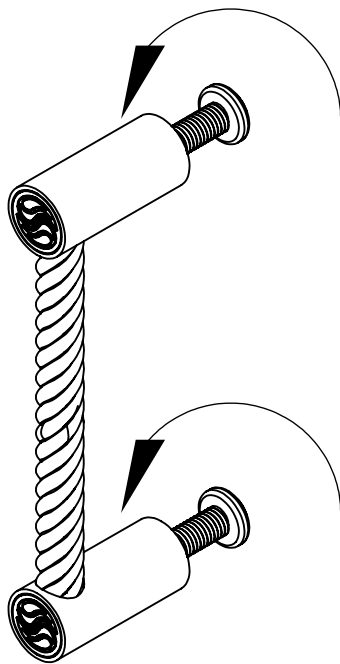


STEP 1
MARK CENTER TO CENTER
DISTAND AND DRILL 1/2
HOLES IN DOOR.

NOTE:
1-1/2" MAX
DOOR THICKNESS



STEP 2
ALIGN ARM POST TO SCREW
AND TIGHTEN TO DOOR.



STEP 3
CLEAN ALL SURFACES
OF FINGERPRINTS WITH
POLISHING CLOTH.

