



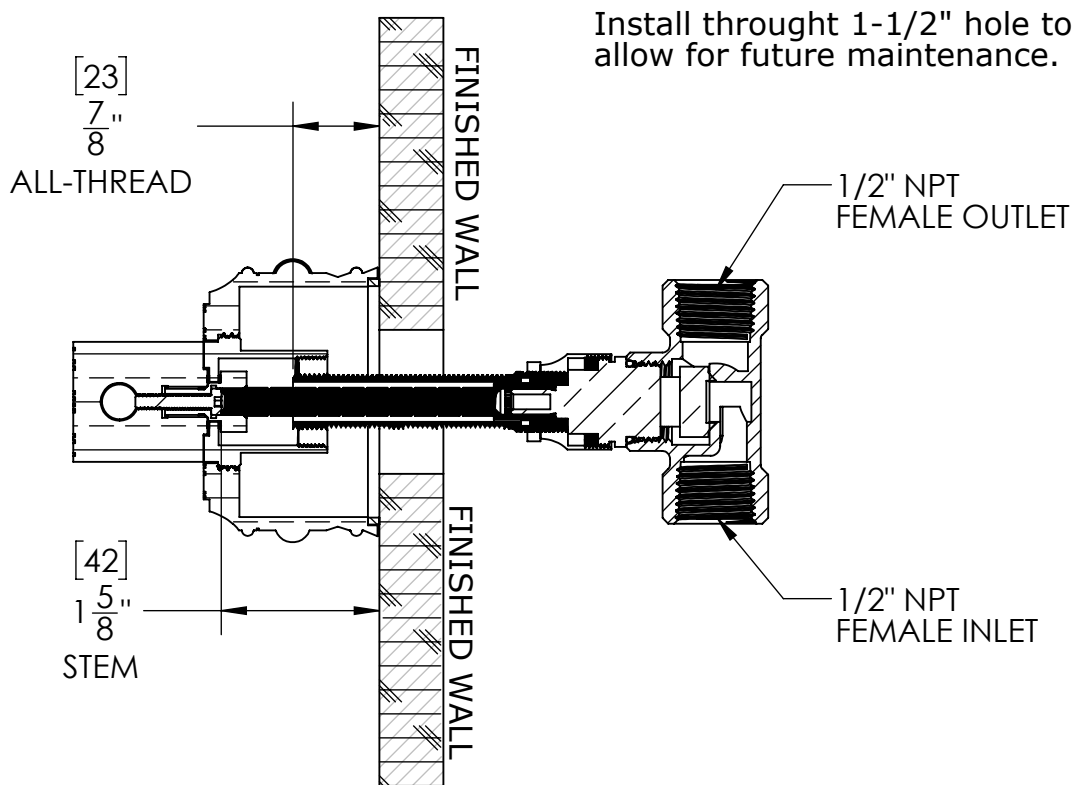
PLEASE INSPECT PRODUCT PRIOR TO INSTALLING:

Carefully review all pre-assembled parts. It will be necessary for the various parts to be re-assembled correctly.

NOTICE:

These instructions do not represent step-by-step directions. They are a product supplement only to be used by a qualified/licensed plumber. We recommend all plumbing fixtures be installed by a professional.

- Check ports for markings.
- **NEVER** use an exit as an inlet; **NEVER** use an inlet as an exit.
- All connections are NPT.
- **NO HEAT - NO TORCH.**
- **FLUSH LINES OF DEBRIS.**
- **TEST UNIT BEFORE CLOSING WALL.**
- **UPC REQUIRES ACCESS TO MECHANICAL JOINTS.**



INSTRUCTIONS:

1. Mark all-thread 7/8" from the wall.
2. Mark stem 1-5/8" from the wall.
3. Remove stem & all-thread from valve.
4. Cut stem & all-thread to mark.
5. Re-install stem & all-thread to valve.
6. Lastly install handle in the desired orientation.
7. Rotating the escutcheon clockise tighten handle to wall.



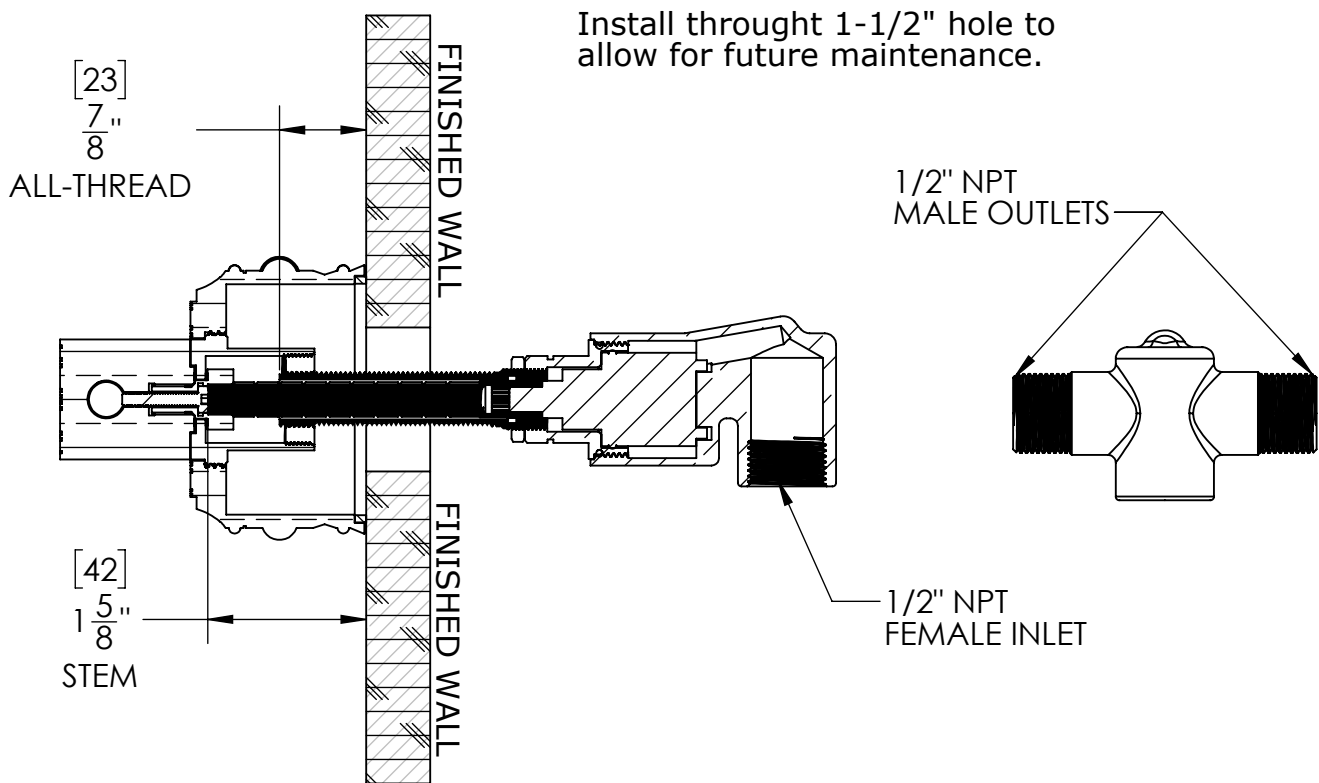
PLEASE INSPECT PRODUCT PRIOR TO INSTALLING:

Carefully review all pre-assembled parts. It will be necessary for the various parts to be re-assembled correctly.

NOTICE:

These instructions do not represent step-by-step directions. They are a product supplement only to be used by a qualified/licensed plumber. We recommend all plumbing fixtures be installed by a professional.

- Check ports for markings.
- **NEVER** use an exit as an inlet; **NEVER** use an inlet as an exit.
- All connections are NPT.
- **NO HEAT - NO TORCH.**
- **FLUSH LINES OF DEBRIS.**
- **TEST UNIT BEFORE CLOSING WALL.**
- **UPC REQUIRES ACCESS TO MECHANICAL JOINTS.**



INSTRUCTIONS:

1. Mark all-thread 7/8" from the wall.
2. Mark stem 1-5/8" from the wall.
3. Remove stem & all-thread from valve.
4. Cut stem & all-thread to mark.
5. Re-install stem & all-thread to valve.
6. Lastly install handle in the desired orientation.
7. Rotating the escutcheon clockise tighten handle to wall.



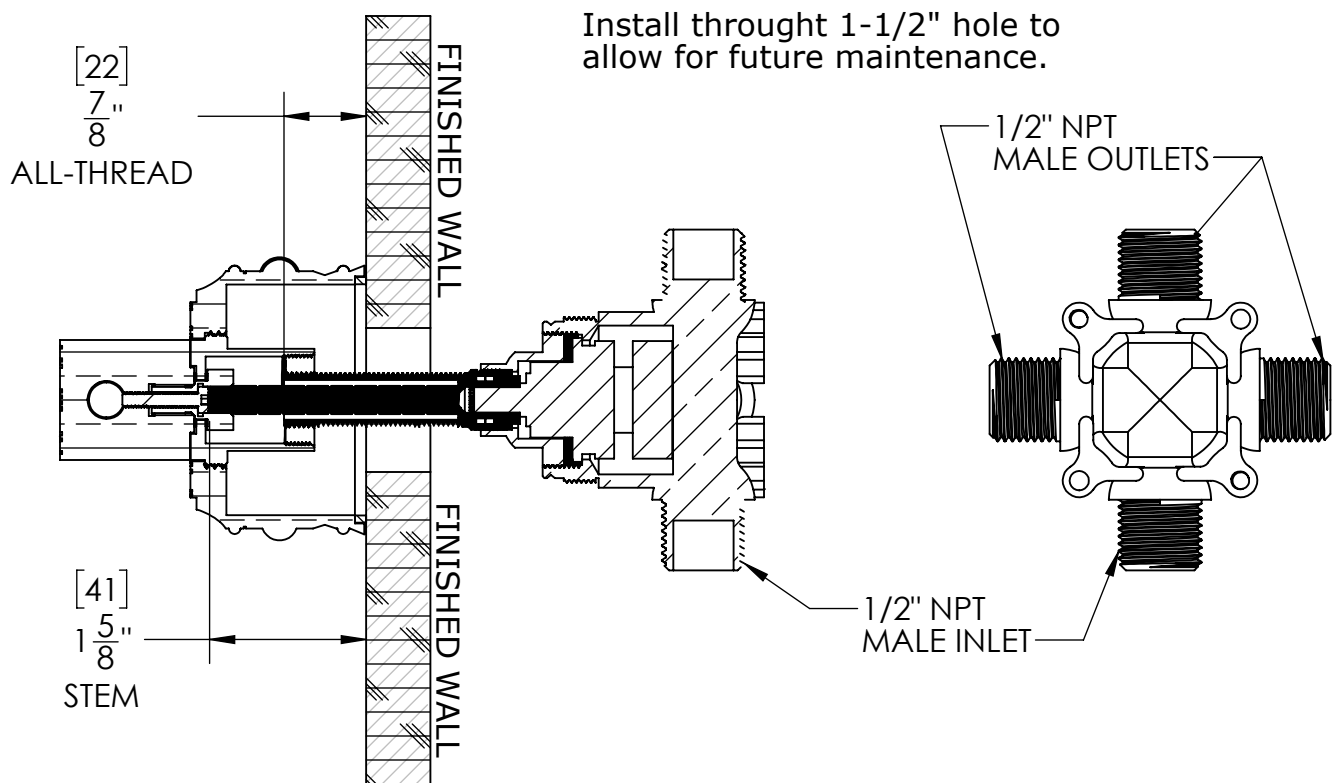
PLEASE INSPECT PRODUCT PRIOR TO INSTALLING:

Carefully review all pre-assembled parts. It will be necessary for the various parts to be re-assembled correctly.

NOTICE:

These instructions do not represent step-by-step directions. They are a product supplement only to be used by a qualified/licensed plumber. We recommend all plumbing fixtures be installed by a professional.

- Check ports for markings.
- **NEVER** use an exit as an inlet; **NEVER** use an inlet as an exit.
- All connections are NPT.
- **NO HEAT - NO TORCH.**
- **FLUSH LINES OF DEBRIS.**
- **TEST UNIT BEFORE CLOSING WALL.**
- **UPC REQUIRES ACCESS TO MECHANICAL JOINTS.**



INSTRUCTIONS:

1. Mark all-thread 7/8" from the wall.
2. Mark stem 1-5/8" from the wall.
3. Remove stem & all-thread from valve.
4. Cut stem & all-thread to mark.
5. Re-install stem & all-thread to valve.
6. Lastly install handle in the desired orientation.
7. Rotating the escutcheon clockise tighten handle to wall.

Product/Finish Warranty: Susan Dunn Inc. warrants that products are free from manufacturing defects in materials and workmanship for five (5) years from date of invoice. In addition, our Signature Finishes are warranted for workmanship only. If any material proves to be defective after inspection by our company, it will be repaired or replaced at our discretion at no charge. However, no claims for labor, shipping costs, or consequential damages will be accepted.

What we will do: We will restore any product whose finish proves to be defective back to its original finish at no charge during the appropriate warranty period stated above. Proof of purchase must be provided. After the warranty period, Susan Dunn Inc. will refinish any of its faucets at the prevailing appropriate charge.

What you must do: The faucets must be properly installed according to our instructions and specifications and are for residential use only. The faucets cannot be altered in any way. You must maintain and clean the faucets in accordance with the instructions provided with the product. You must use the faucet(s) for residential use only.

How to obtain service: Send your name, address, and telephone number along with a statement describing the nature of the problem and your paid sales slip or other proof of purchase to:

**Susan Dunn Inc. Customer Service
3280 Corporate View Vista, CA 92081**

We will then contact you and take appropriate action. Do not send us any part(s) of your faucet(s) or its various connecting hoses unless we have contacted you and have sent you an approved RGA form. All transportation charges for returned goods must be paid by the customer.

What is not covered: This warranty does not cover the crystal/glass, or porcelain products of any faucet or the drain assembly or aerator. This warranty also does not cover damage caused by accident, alterations, misuse, abuse, normal wear and tear, lime deposits, direct exposure to salty air or corrosive materials, or the color change that takes place with the passage of time, or use in any manner contrary to Susan Dunn's printed instructions. Cartridge warranties vary. Please call factory for details. In the case of in-the-wall installations, Susan Dunn. will assume no liability if there is no access. In no event will we be liable for labor of any kind, incidental or consequential damages. This warranty is extended in lieu of all other expressed or implied warranties, whether oral or written. Many installation compounds are harmful to brass and metal finishes. The use of any lead-based or acidic curing adhesive, silicone, mastic, or plumber's putty on or near our finished products will void the finish warranty. Use only sealants which are neutral curing and are not reactive with metal and brass finishes. Susan Dunn reserves the right to change, modify or alter its products as deemed necessary. This warranty supersedes any other Susan Dunn warranties, whether oral or written.

Unless otherwise contrary to state law governing the purchase, Susan Dunn's liability will not exceed the wholesale price for the Susan Dunn Inc. product considered defective. This warranty gives you specific legal rights, and you may also have other rights which vary from state to state. Some states do not allow exclusion of incidental or consequential damages, so the above limitation may not apply to you.

LIFETIME WARRANTY ON 1/4 TURN CERAMIC DISC CARTRIDGE

Should the ceramic disc cartridge in your faucet ever fail, Susan Dunn will replace the failed part free of charge to the original purchaser of the product. Your cost will be a \$17.95 handling and mailing charge. Labor not included. When ordering replacements, denote for Lavatory, Roman tub, or other. Include age of faucet. (This does not include Thermostatic, Pressure Balance, or Diverter cartridges.)

NOTICE

Susan Dunn's products are ICC-PMG listed with American Faucet & Coatings Corporation and are tested to ASME A112.18.1M and ASSE 1016, and comply with Section 9 of NSF 61 as well as NSF 372 for basin faucet, bar faucets, and kitchen faucets as required.